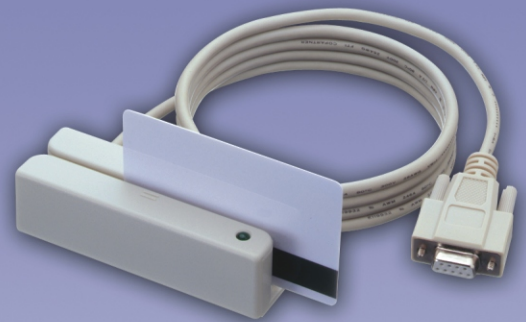


Magnetic Stripe Card Readers



MSR110 Series RS232 Interface

- Programmable track data output
- Downloadable firmware
- Read magnetic stripe cards conform to ISO 7811, AAMVA and custom data format
- Manual swipe, bi-directional
- Read high and low coercivity magnetic stripes (300-4000 Oe)
- LED and beeper for read status



MSR112 Series RS232 Port Powered

- Powered from RS 232 port
- Programmable track data output
- Read magnetic stripe cards conform to ISO 7811, AAMVA
- Manual swipe, bi-directional
- Read high and low coercivity magnetic stripes (300-4000 Oe)
- LED and beeper for read status

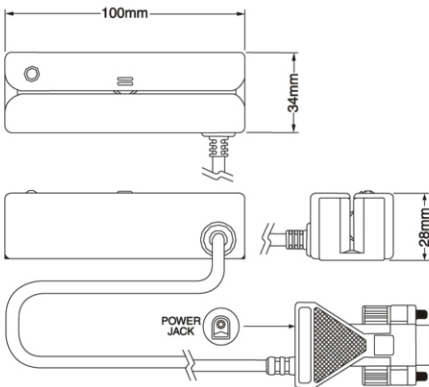


MSR210 Series Keyboard Interface

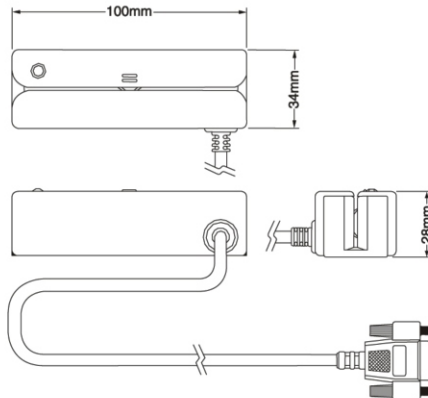
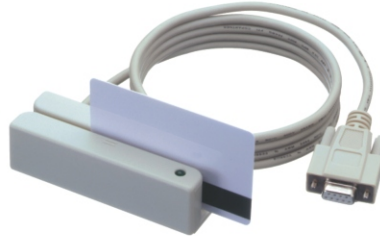
- Programmable track data output and on screen configuration set up
- Downloadable firmware
- Multi-language capability
- Read magnetic stripe cards conform to ISO 7811, AAMVA
- Manual swipe, bi-directional
- Read high and low coercivity magnetic stripes (300-4000 Oe)
- LED and beeper for read status

Magnetic Stripe Card Readers

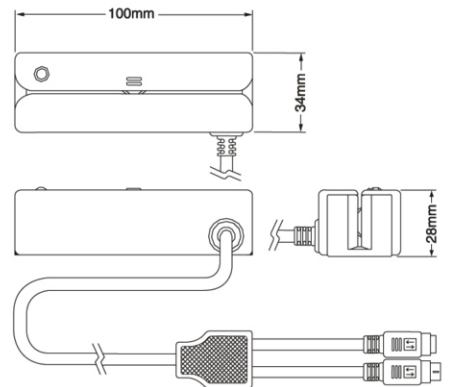
MSR110 RS232 Interface



MSR112 RS232 Interface (port powered)



MSR210 Keyboard Interface



Specifications	
Model	MSR110
Electrical	
Power Requirement	+5VDC ± 10%
Power Consumption	90mA Max
Interface	Standard RS232
Mechanical	
Body Material	ABS 94V-0
Dimensions	100L x 34W x 28H mm
Weight	Approx. 120g
Card Handling Method	Manual swipe, Bi-directional
Environment	
Operation Temperature	-10°C to +55°C
Operation Humidity	10% to 90%
Agency Approval	
Ratings	FCC/CE class A, UL, cUL
Performance	
Test Card Types	STD Card Jitter ± 15% Amp. 60%
Read Speed	5 ~ 55 ips 5 ~ 50 ips 5 ~ 50 ips
Card Types	Magnetic cards as per ISO7810, 7811, AAMVA, JIS II & Custom data
Read Capability	Magnetic stripe - single, dual or triple track of low/high coercivity (300~4000 Oe)
Card Thickness	0.76 ± 0.08mm
Error Rate	< 0.5%
Magnetic Head Life	500K Swipes, 1 M life optional

Specifications	
Model	MSR112
Electrical	
Power Requirement	Port powered
Power Consumption	6mA Max.
Interface	Standard RS232
Mechanical	
Body Material	ABS 94V-0
Dimensions	100L x 34W x 28H mm
Weight	Approx. 120g
Card Handling Method	Manual swipe, Bi-directional
Environment	
Operation Temperature	-10°C to +55°C
Operation Humidity	10% to 90%
Agency Approval	
Ratings	FCC/CE class A, UL, cUL
Performance	
Test Card Types	STD Card Jitter ± 15% Amp. 60%
Read Speed	5 ~ 55 ips 5 ~ 50 ips 5 ~ 50 ips
Card Types	Magnetic cards as per ISO7810, 7811, AAMVA
Read Capability	Magnetic stripe - single, dual or triple track of low/high coercivity (300~4000 Oe)
Card Thickness	0.76 ± 0.08mm
Error Rate	< 0.5%
Magnetic Head Life	500K Swipes, 1 M life optional

Specifications	
Model	MSR210
Electrical	
Power Requirement	+5VDC ± 10% from PC KB port
Power Consumption	90mA Max.
Interface	Keyboard Simulator Interface
Mechanical	
Body Material	ABS 94V-0
Dimensions	100L x 34W x 28H mm
Weight	Approx. 120g
Card Handling Method	Manual swipe, Bi-directional
Environment	
Operation Temperature	-10°C to +55°C
Operation Humidity	10% to 90%
Agency Approval	
Ratings	FCC/CE class A, UL, cUL
Performance	
Test Card Types	STD Card Jitter ± 15% Amp. 60%
Read Speed	5 ~ 55 ips 5 ~ 50 ips 5 ~ 50 ips
Card Types	Magnetic cards as per ISO7810, 7811, AAMVA
Read Capability	Magnetic stripe - single, dual or triple track of low/high coercivity (300~4000 Oe)
Card Thickness	0.76 ± 0.08mm
Error Rate	< 0.5%
Magnetic Head Life	500K Swipes, 1 M life optional

UIC Headquarters

Uniform Industrial Corp. Taiwan
 1F, No. 1, Lane 15, Chih Chiang St.,
 Tu Cheng City, Taipei Hsien,
 Taiwan, R.O.C.
 TEL: +886-2-2268-7075
 FAX: +886-2-2269-5686
 VC ISDN: +886-2-8076-0126
 VC IP Line: 60.248.204.230
 E-Mail: info@uniform.com.tw
 URL: www.uicworld.com

UIC USA

Uniform Industrial Corp. USA
 47709 Fremont Blvd.,
 Fremont, CA 94538-6512, USA.
 TEL: +1-510-438-6799
 FAX: +1-510-438-6790
 E-Mail: info@uicusa.com
 URL: www.uicusa.com

UIC Europe

Uniform Industrial Corp.
 Suite 2.7 Discovery House,
 Gemini Crescent, Technology Park,
 Dundee, DD2 1SW, United Kingdom
 TEL: +44-1382-561162
 FAX: +44-1382-561163
 E-Mail: info@uiceurope.com
 URL: www.uicworld.com