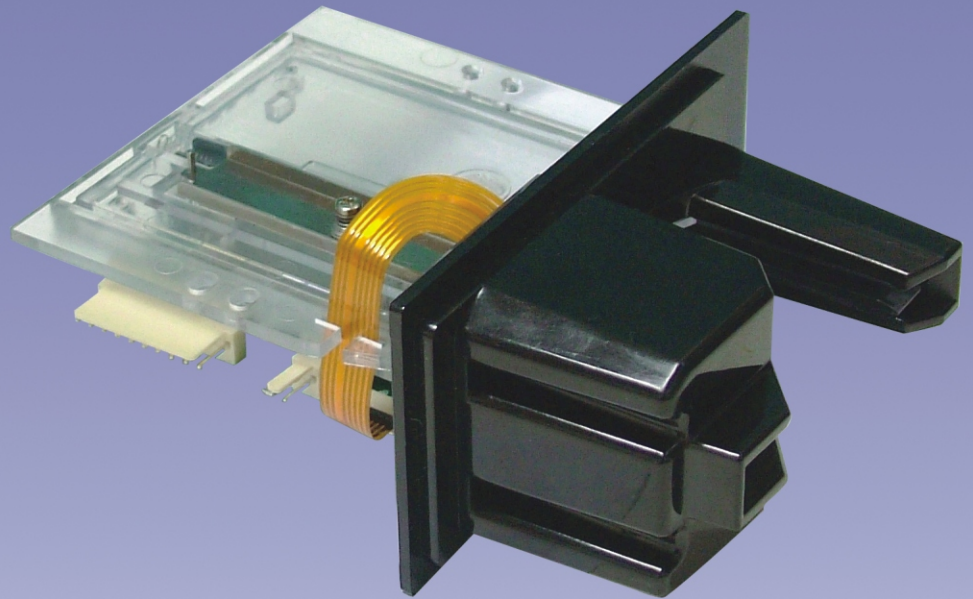


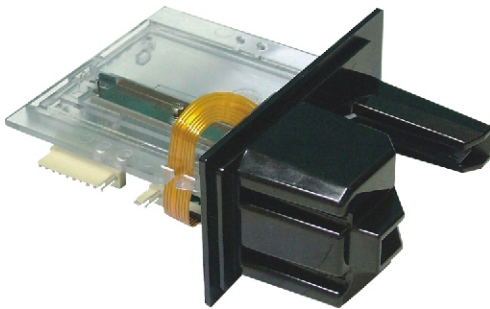
Magnetic Card Reader Manual Insertion



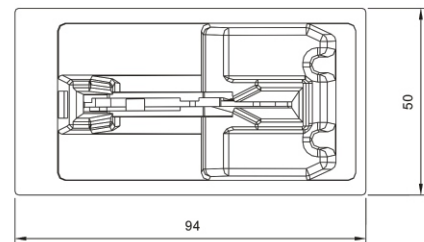
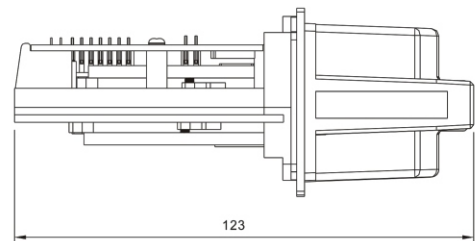
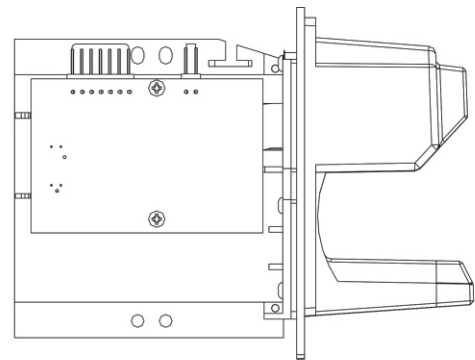
MSR280 Series

- Reads magnetic cards conforming to ISO 7811
- Dual head design to provide user friendly operation
- Supports card reading during insertion or withdrawal
- Reads high and low coercivity magnetic stripes (300 ~ 4000 Oe.)
- Water proof design to meet outdoor applications

Manual Insertion Magnetic Card Reader



Extruded Bezel: Transparent Body



Specifications			
Model	MSR280		
Electrical			
Power Requirements	5VDC \pm 10% (High) , 3.3VDC \pm 10% (Low)		
Power Consumption	10mA typical, 15mA Max.(+5VDC)		
	5.5mA typical, 7mA Max.(+3.3VDC)		
Interfaces	RS232, USB, TTL		
Logic Characteristic	Default at Negative, Positive optional		
Ripple	50mVp-p or less		
Mechanical			
Body Material	PC, UL94V-O		
Weight	Approx. 130g		
Dimensions	123L x 94W x 50H mm		
Card Handling Method	Manual insertion, bi-directional		
Environment			
Operation Temperature	-10°C to 50°C		
Storage Temperature	-30°C to 70°C		
Operation Humidity	5% to 95%		
Storage Humidity	5% to 95%		
Agency Approval			
	FCC class B, CE class B		
Performance			
Read Card Format	Track1	Track2	Track3
Bit Density	210 bpi	75 bpi	210 bpi
Read Capability	Magnetic stripe - single, dual or triple track of low/high coercivity (300~4000 Oe)		
Card Types	Magnetic cards as per ISO7810, 7811, AAMVA		
	Standard Card	Jitter+/-15%	Amp.60%
Read Speed	4~40ips	5~35ips	5~35ips
Card Thickness	0.76 \pm 0.08mm		
Error Rate	< 0.5%		
MTBF	100,000 Hours		
Magnetic Head Life	500K insertion cycles, 1M insertion cycles optional.		

Pin No.	Assignment
1	VCC
2	RDP1
3	RCP1
4	RDP2
5	RCP2
6	Card-end senses
7	Signal ground
8	RDP3
9	RCP3
10	Frame ground

Onboard header: MOLEX 22-28-1102 2.54mm compatible

1	Frame ground
2	Frame ground

Onboard header: MOLEX 22-28-1102 2.54mm compatible

UIC Headquarters
Uniform Industrial Corp. Taiwan
 1F, No. 1, Lane 15, Chih Chiang St.,
 Tu Cheng City, Taipei Hsien,
 Taiwan, R.O.C.
 TEL: +886-2-2268-7075
 FAX: +886-2-2269-5686
 VC ISDN: +886-2-8076-0126
 VC IP Line: 60.248.204.230
 E-Mail: info@uniform.com.tw
 URL: www.uicworld.com

UIC USA
Uniform Industrial Corp. USA
 47709 Fremont Blvd.,
 Fremont, CA 94538-6512, USA.
 TEL: +1-510-438-6799
 FAX: +1-510-438-6790
 E-Mail: info@uicusa.com
 URL: www.uicusa.com

UIC Europe
Uniform Industrial Corp.
 Suite 2.7 Discovery House,
 Gemini Crescent, Technology Park,
 Dundee, DD2 1SW, United Kingdom
 TEL: +44-1382-561162
 FAX: +44-1382-561163
 E-Mail: info@uiceurope.com
 URL: www.uicworld.com