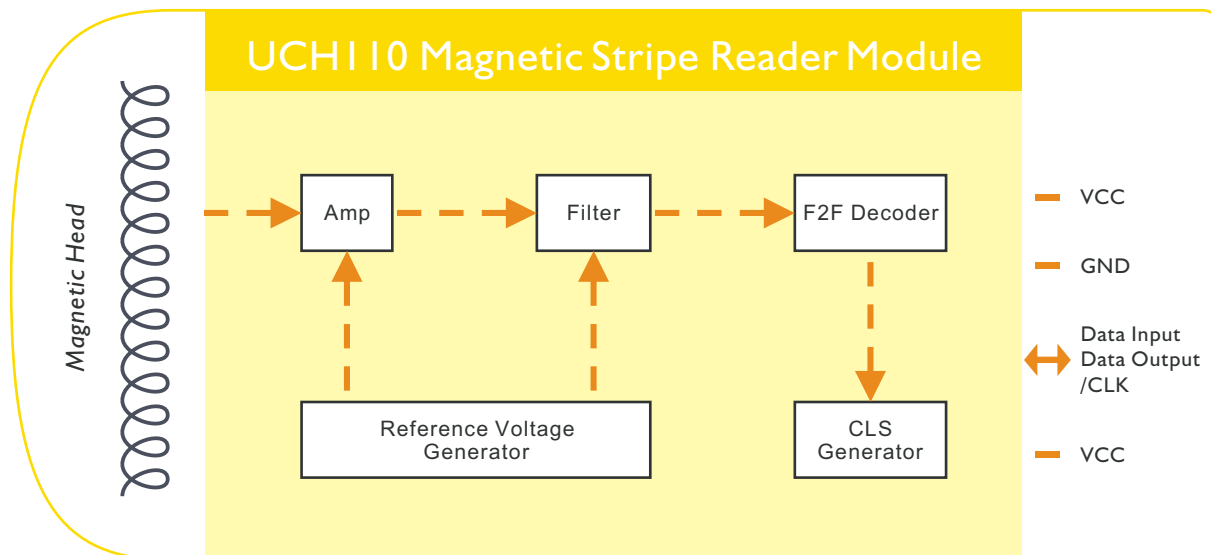


Magnetic Stripe Reader Module



UCHI 10 Series (Uniform chip in head)

- o Read magnetic stripe cards conform to ISO7811.
- o Read high & low coercivity magnetic stripes(300-4000Qe) .
- o Ultra compact reader module within all needed circuit .
- o Smallest foot print no extra components required .
- o Wide rang operation from 3.3V to 5.0V .
- o Low power consumption .
- o Support power saving/shutdown/standby mode .
- o High reliability .
- o Various interface operational .



Recommended Operating Conditions

There are two recommended operating conditions, VCC=5.0V and VCC=3.3V. The lowest workable voltage is 2.5 volts.

a.VCC=5.0V @ 25

Symbol	Parameter	Conditions	Ratings			Unit
			Min.	Typ.	Max.	
VCC	Supply Voltage	VDD	4.5	5	5.5	V
IOPR	Operation Current	No Load	1.3	1.7	2.3	mA
ISBY	Standby Current	No Load	0.8	1.1	1.6	mA
ISD	ShutdownCurrent				50	uA

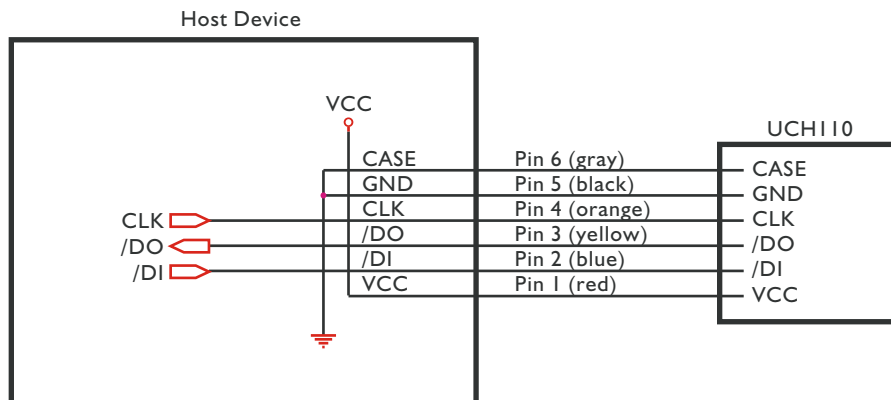
b.VCC=3.3V

Symbol	Parameter	Conditions	Ratings			Unit
			Min.	Typ.	Max.	
VCC	Supply Voltage	VCC	3.0	3.3	3.6	V
IOPR	Operation Current	No Load	0.8	1.2	1.6	mA
ISBY	Standby Current	No Load	0.5	0.85	1.2	mA
ISD	ShutdownCurrent				50	uA

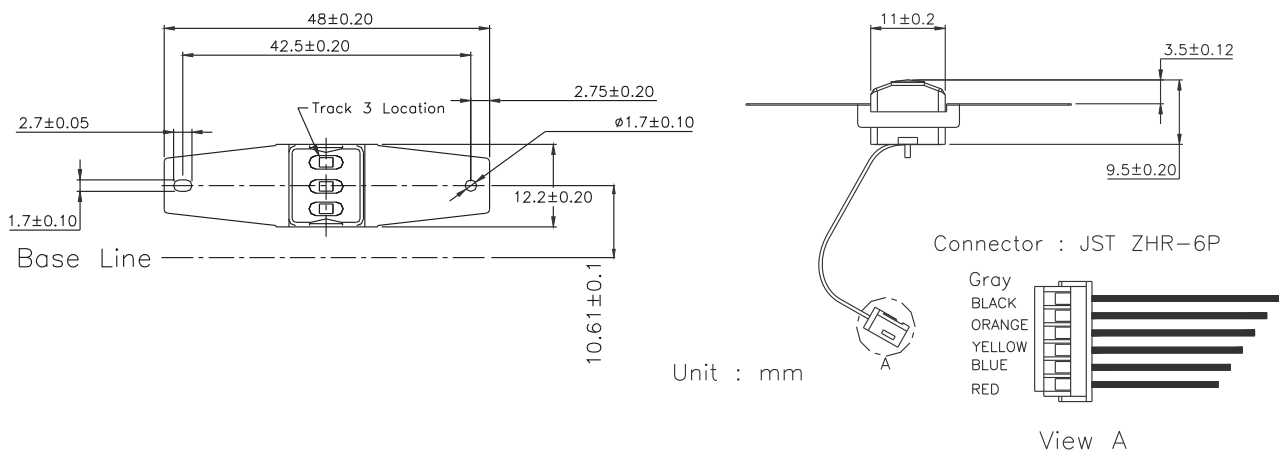
Maximum Ratings

Symbol	Parameter	Conditions	Ratings	Unit
VCC	Supply voltage	VCC	-0.5 to +7.0	V
Vin	Input voltage		-0.5toVcc +0.5	V
Io	Outputcurrent	/DO	-10 to +10	mA
Vid	Differential input voltage	SENXP~SENXN	-1.0 to +1.0	V
Topr	Operating temperature		-20 to +70	°C
Tstg	Storage temperature		-30 to +85	°C

Wiring to a Host



Wire Ass'y Drawing and Mounting Dimension



UIC Headquarters

Uniform Industrial Corp. Taiwan
 IFL, No. 1, Lane 15, Chih Chiang St., Tu Cheng City, Taipei Hsien, Taiwan, R.O.C.
 Tel: +886-2-2268-7075 Fax: +886-2-2269-5686
 VC ISDN: +886-2-8076-0126
 VC IPLine: 60.248.204.230
 E-mail: info@uniform.com.tw
 URL: www.uicworld.com.tw

UIC USA Uniform Industrial Corp. USA

47709 Fremont Blvd., Fremont, CA 94538-6512, U.S.A.
 Tel: +1-510-438-6799 Fax: +1-510-438-6790
 E-mail: info@uicusa.com
 URL: www.uicusa.com